

LIQUID FILLED THERMOMETERS - CL 2.0
ELECTRICAL CONTACTED DIRECT MOUNT TYPES Ø 100

14.41

CONSTRUCTIVE PROPERTIES

	STANDARD		OPTIONAL		
Mounting Type	Bottom Connection		Back Connection		
Scale Unit	°C		°F		
Scale Range	-40 / +40	0 / +120	0 / +160	0 / +200	0 / +250
		0 / +300	0 / +350		
Case	St. Steel AISI-304.		Steel Black Enamelled		
Ring	St. Steel AISI-304.		Steel Black Enamelled		
Window	Glass		-		
Pointer	Adjustable St. Steel		Adjustable Aluminium		
Dial	Aluminum		-		
Temperature Element	St. Steel AISI-316		-		
Connection	St. Steel AISI-316 G 1/2" B		St. Steel AISI-316 1/2" NPT		



Bottom Connection

USAGE PROPERTIES

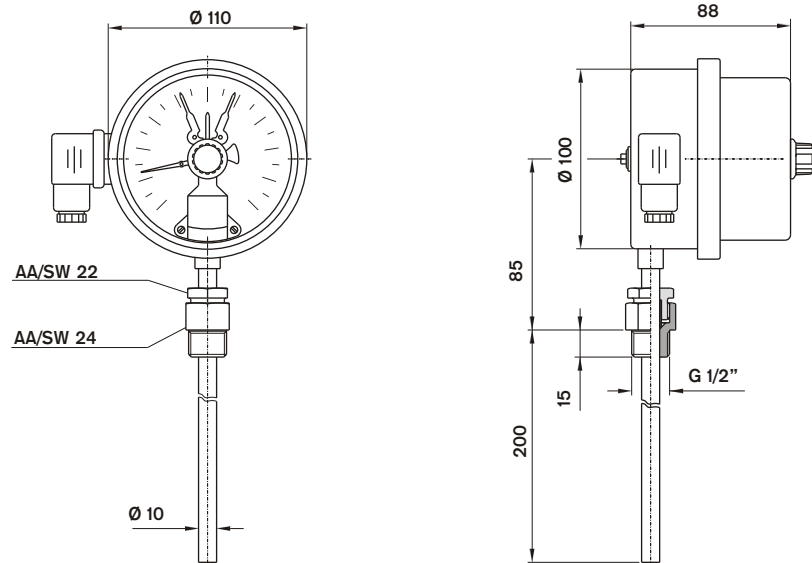
Max. Pressure	25 bar	-
Accuracy Class	CL 2.0	
Conformity	EN 13190	
Protection Rate	IP 41	
Storage Temperature	- 20 ... + 60 °C	

Applications : Chemical Planst, Fuel Refinery Plants, Surface Treatment Plants, etc.

(*) Scale units different than listed, please contact us.

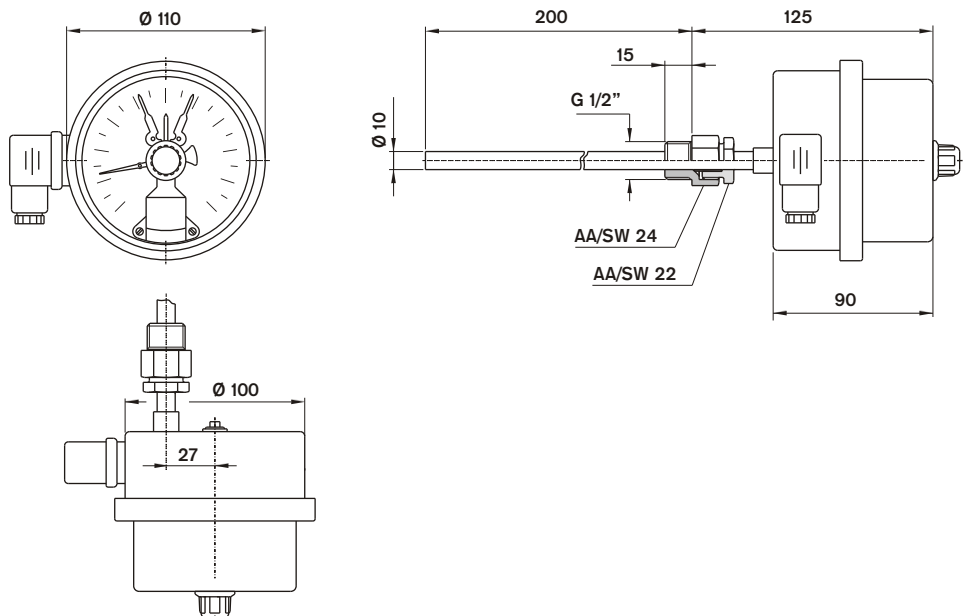
LIQUID FILLED THERMOMETERS - CL 2.0
ELECTRICAL CONTACTED DIRECT MOUNT TYPES Ø 100

14.41



Bottom connection

°C	-40 / +40	0 / +120	0 / +160	0 / +200	0 / +250	0 / +300	0 / +350
Model No	100 511 0402	100 511 0405	100 511 0406	100 511 0407	100 511 0408	1000 511 0409	100 511 0410



Back eccentric connection

°C	-40 / +40	0 / +120	0 / +160	0 / +200	0 / +250	0 / +300	0 / +350
Model No	100 512 0402	100 512 0405	100 512 0406	100 512 0407	100 512 0408	100 512 0409	100 512 0410

P.S: In addition to Model No , please indicate contact type.